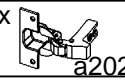
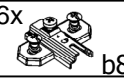


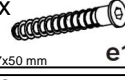
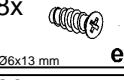
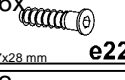
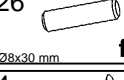

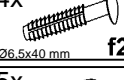

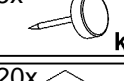
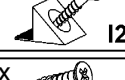
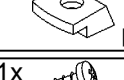
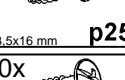
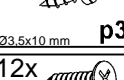
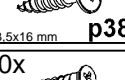
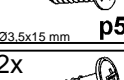
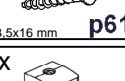
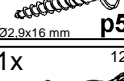

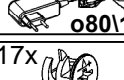

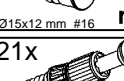
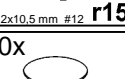

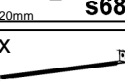

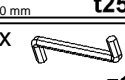

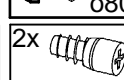
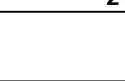
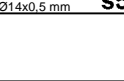
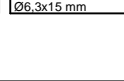
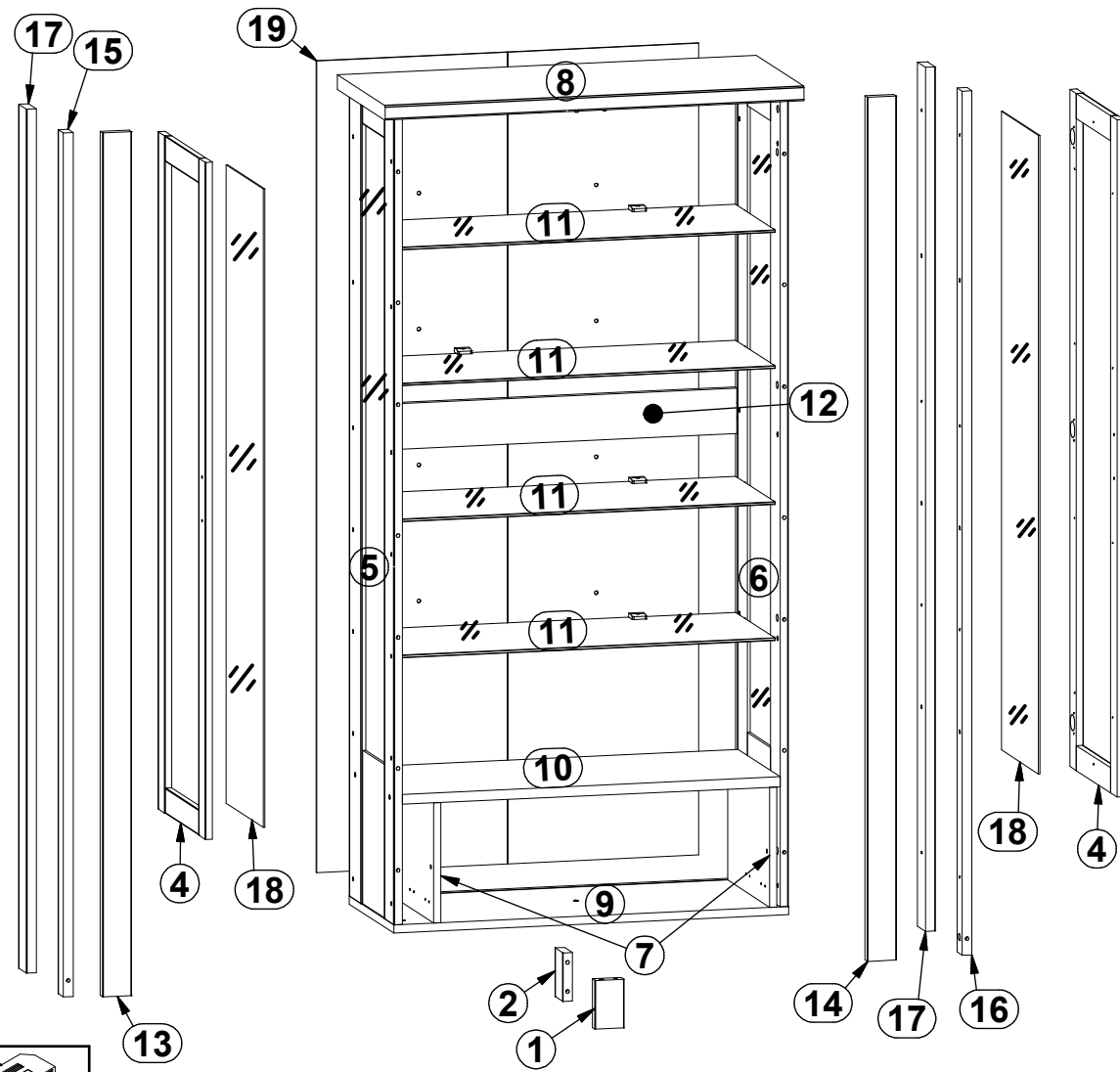
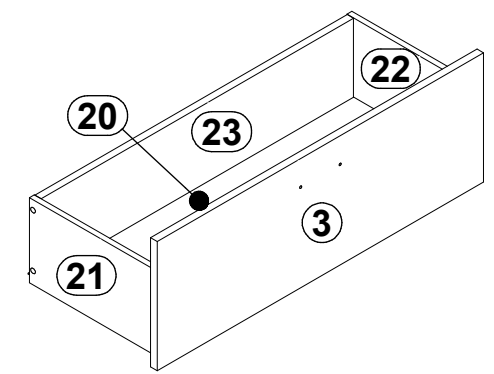
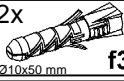

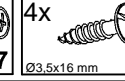
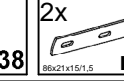


- 6x  a202
- 6x  b89
- 3x  c453
- 16x  d33
- 9x  e1
Ø7x50 mm
- 8x  e3
Ø6x13 mm
- 16x  e22
Ø7x28 mm
- 26  f1
Ø8x30 mm
- 12x  f13
Ø8x20 mm
- 4x  f25
Ø6,5x40 mm
- 6x  j30
M4x22 mm
- 5x  k1
- 12x  l2
- 20x  l3
- 1x  p25
Ø3,5x16 mm
- 1x  p35
Ø3,5x10 mm
- 10x  p38
Ø3,5x16 mm
- 12x  p51
Ø3,5x15 mm
- 20x  p61
Ø3,5x16 mm
- 2x  p55
Ø2,9x16 mm
- 8x  o85\1
- 1x  o80\11 12W
- 1x  o80\3
- 17x  r1
Ø15x12 mm #16
- 4x  r15
Ø12x10,5 mm #12
- 21x  r42
20/11
- 10x  s68
Ø 20mm
- 1x  w125\P
300mm
- 1x  t25
300 mm
- 1x  w125\L
300mm
- 1x  o80\9
- 1x  z1
- 12x  s59
Ø14x0,5 mm
- 2x  d4
Ø6,3x15 mm

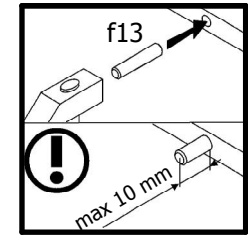
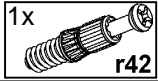
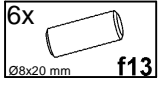
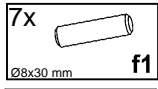
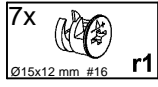
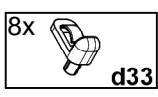
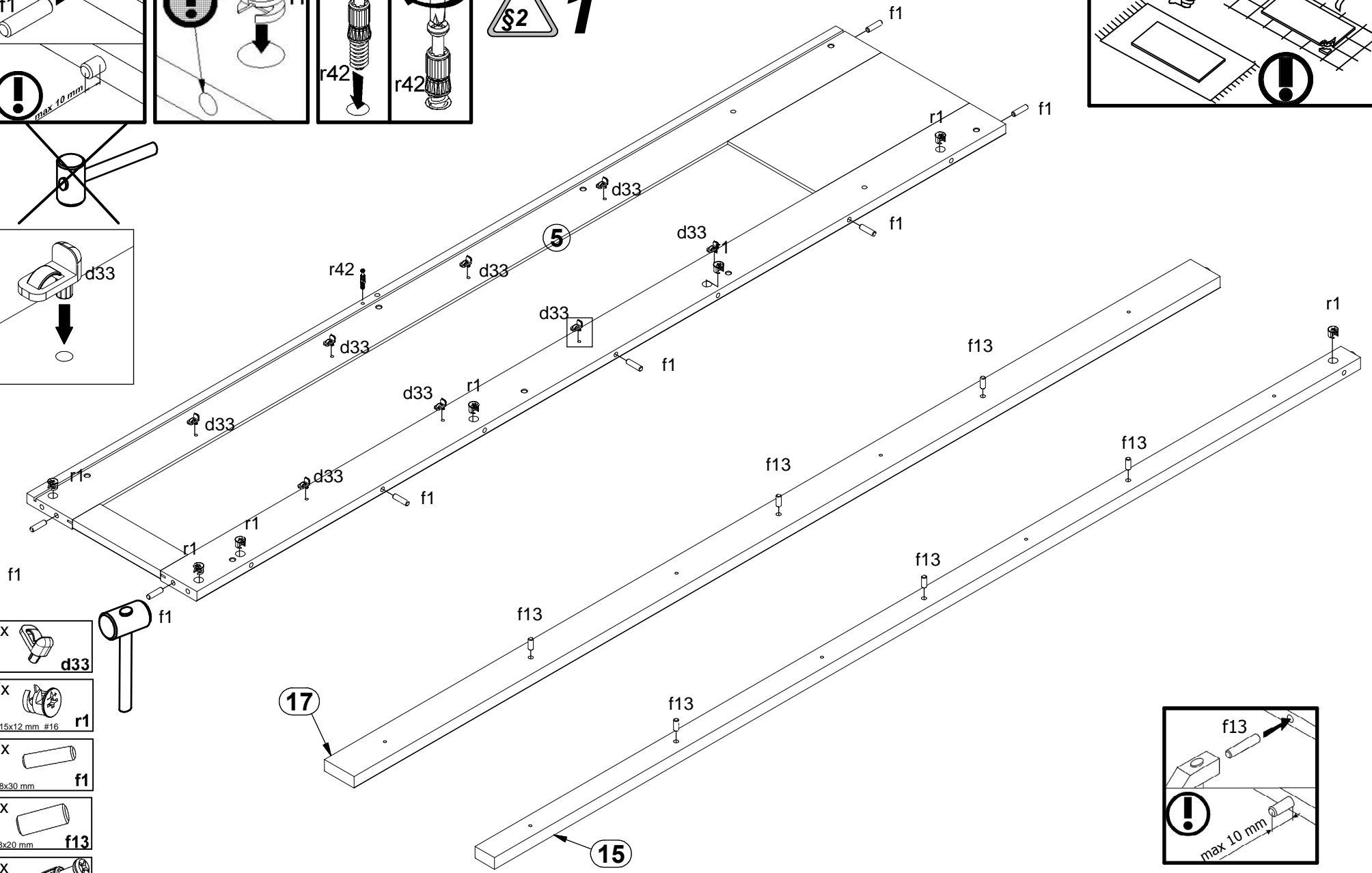
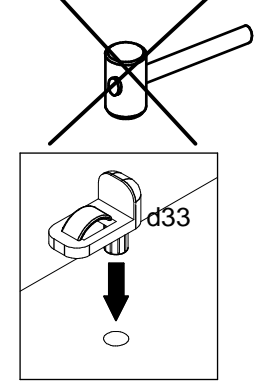
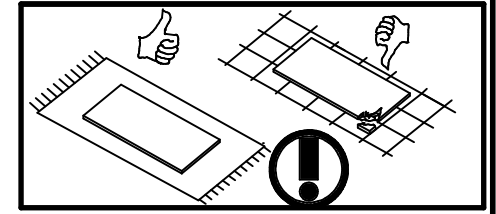
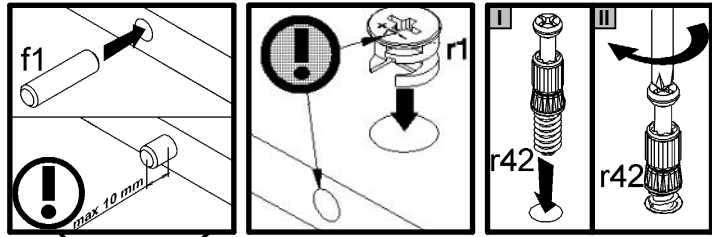


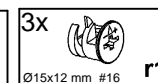
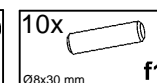
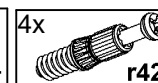
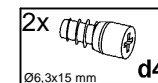
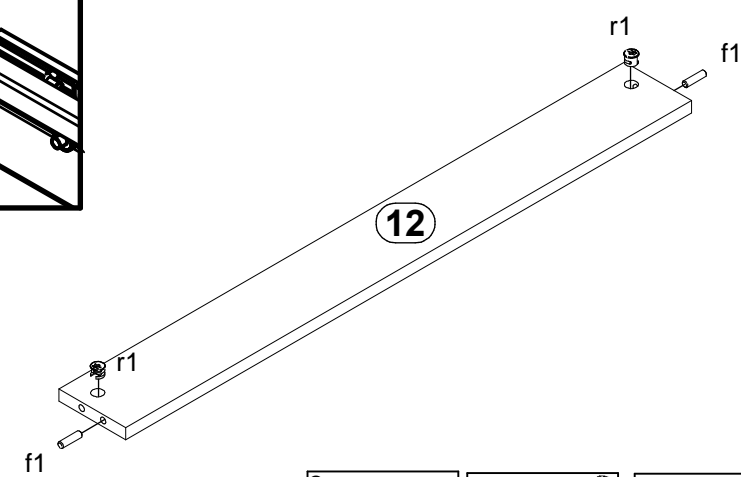
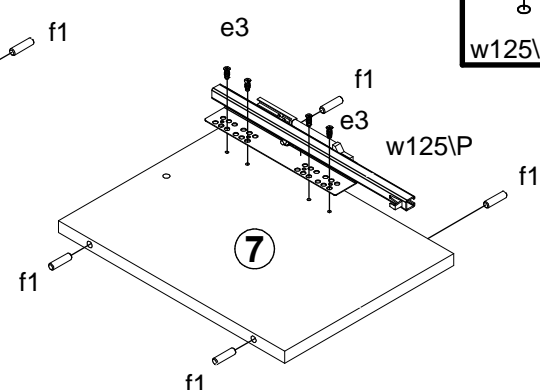
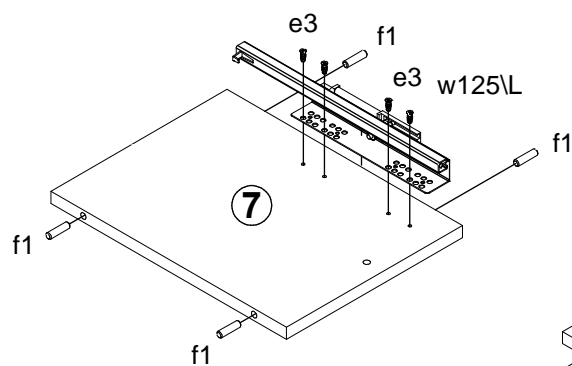
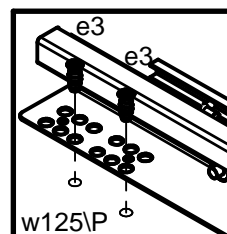
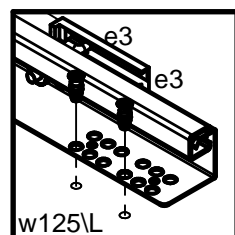
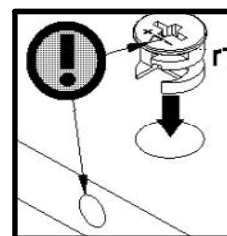
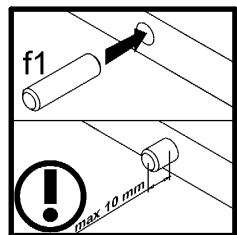
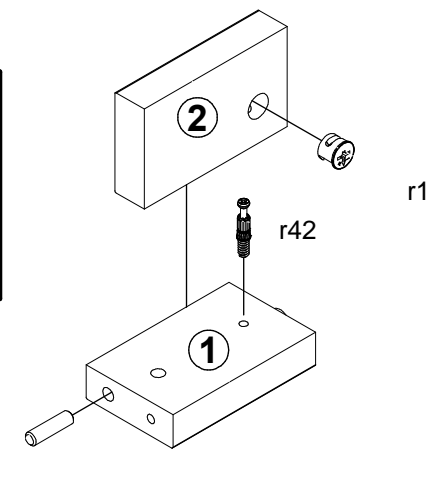
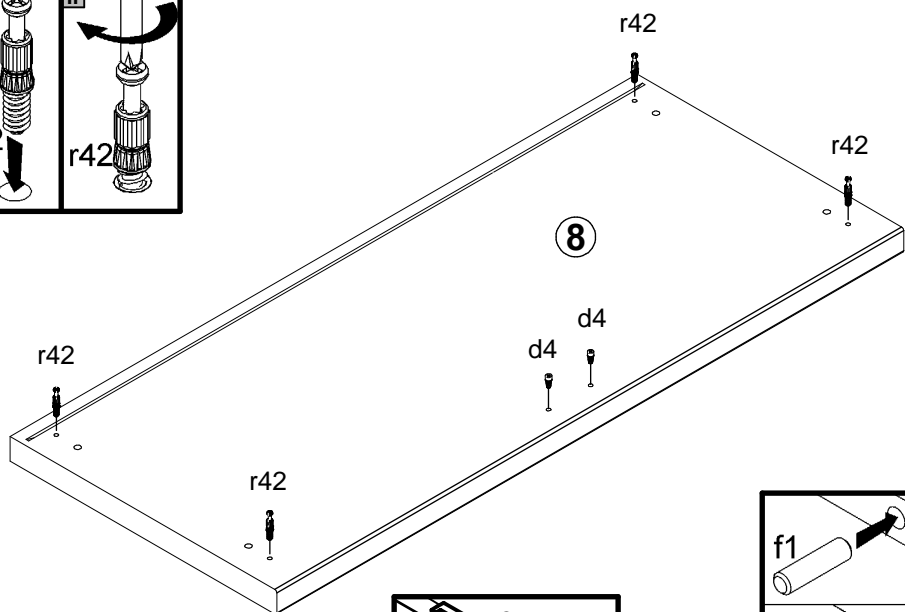
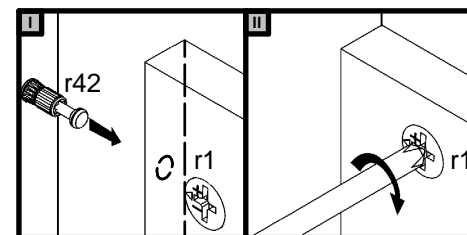
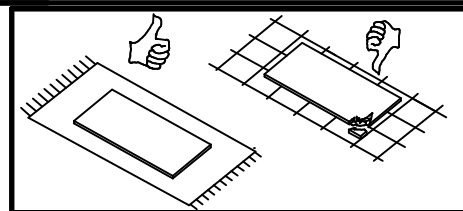
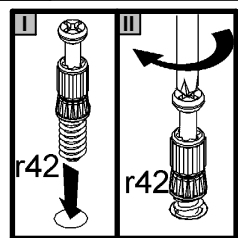
A	B	C1	C2	C3	D
1	M249-5015	107	65	22	3/3
2	M249-5025	107	65	22	3/3
3	S510-0001	795	272	16	2/3
4	S510-0002	1489	396	16	1/3
5	S510-1001	1775	373	19	3/3
6	S510-1002	1775	373	19	3/3
7	S510-1003	264,	353	16	1/3
8	S510-2001	940	400	32	2/3
9	S510-2002	886	373	18	1/3
10	S510-3001	848,	353	22	1/3
11	S510-3002	841	330	6,	2/3
12	S510-4001	848,	100	16	2/3
13	S510-5004	1900	65	22	3/3
14	S510-5005	1900	65	22	3/3
15	S510-5006	1900	43	22	3/3
16	S510-5007	1900	43	22	3/3
17	S510-5008	1900	65	22	3/3
18	S510-5502	1404	311	3,	1/3
19	S510-9301	1785	857,	2,5	3/3
20	WSP-9313	771	308	2,5	2/3
21	ZQ6-501	300	180	12	1/3
22	ZQ6-502	300	180	12	1/3
23	ZQ6-5104	761	167	15	1/3

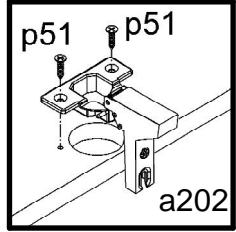
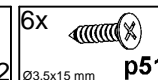
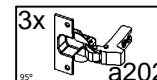
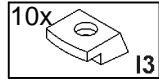
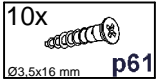
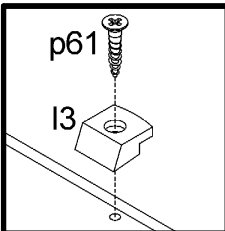
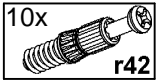
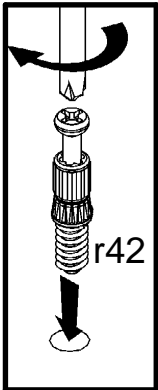
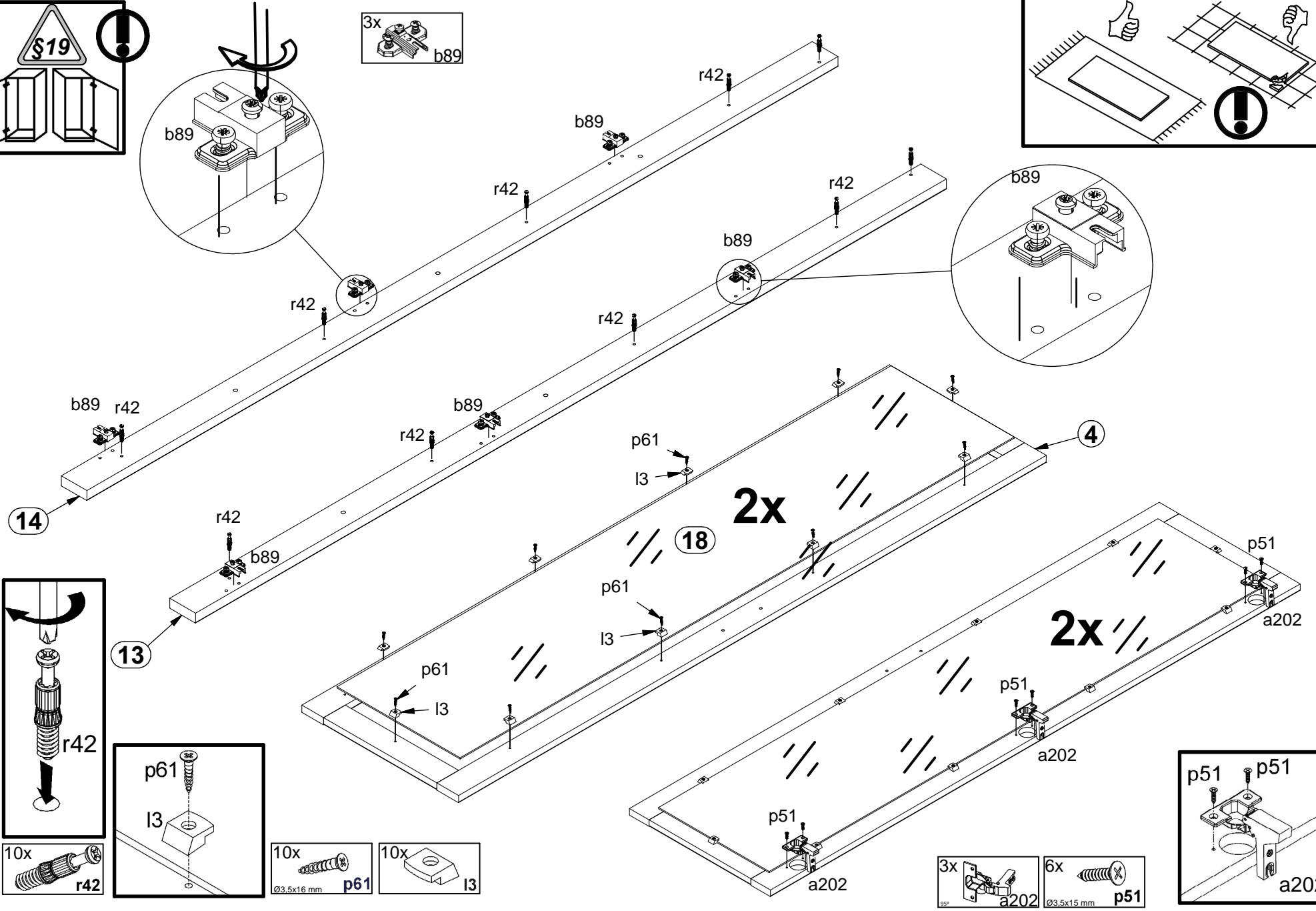
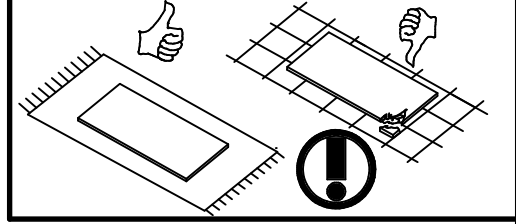
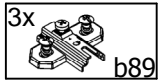
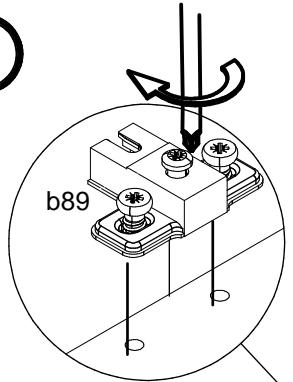
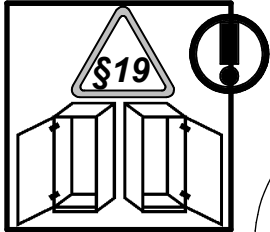


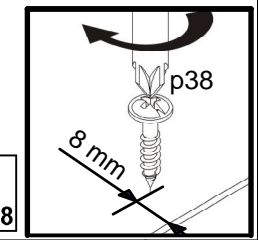
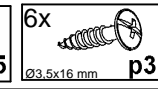
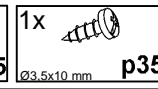
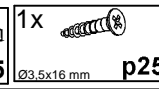
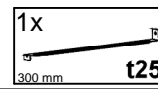
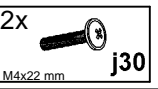
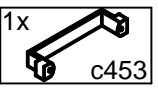
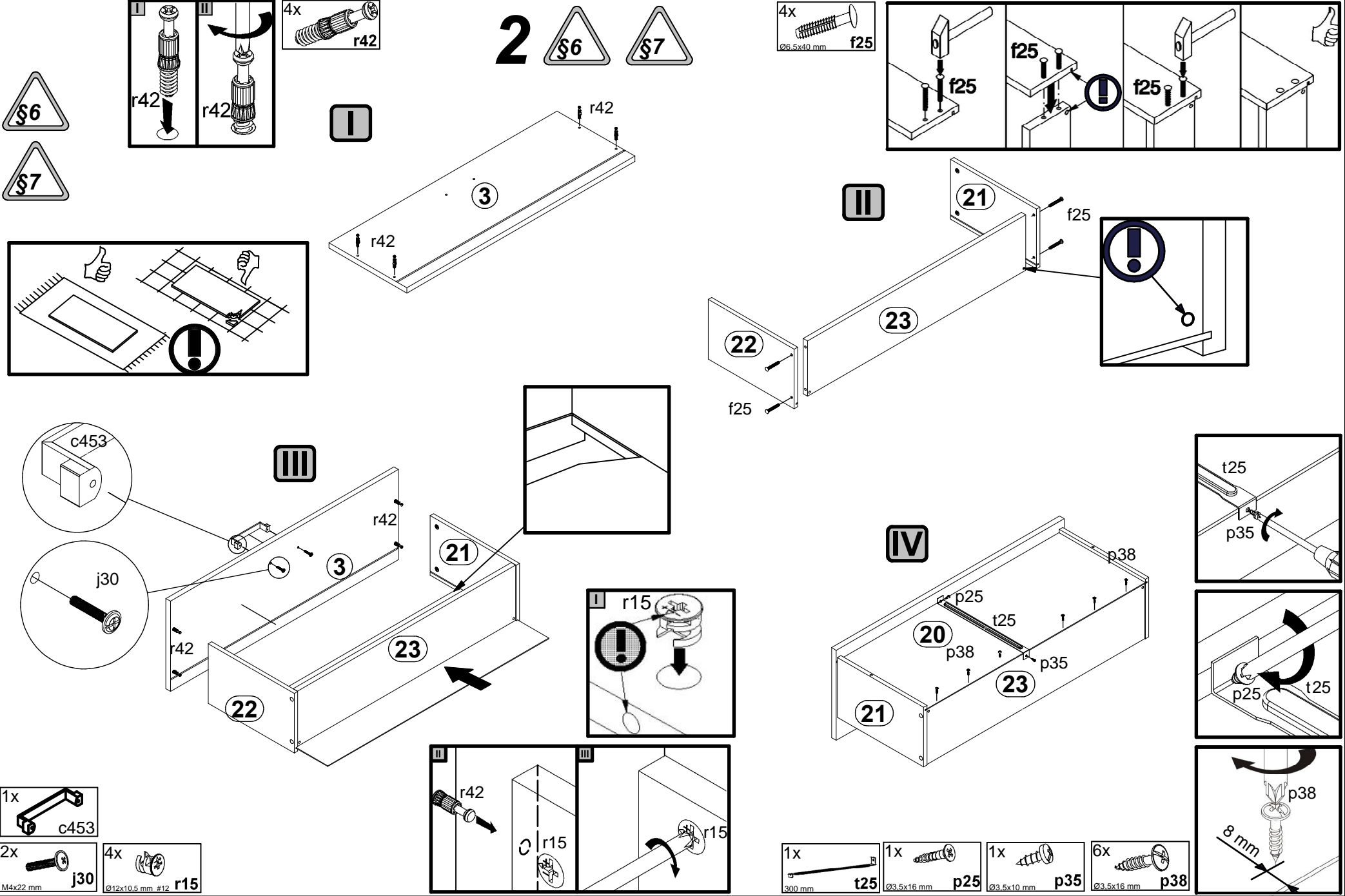
- 2x  f35
Ø10x50 mm
- 2x  p17
Ø5x60 mm
- 4x  p38
Ø3,5x16 mm
- 2x  n14\2
88x21x15/1,5

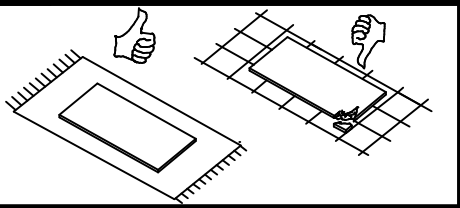






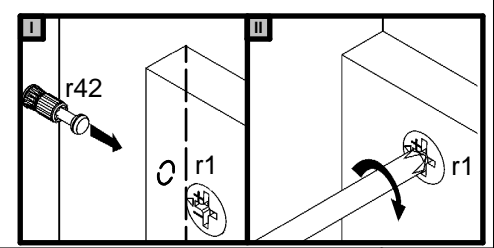
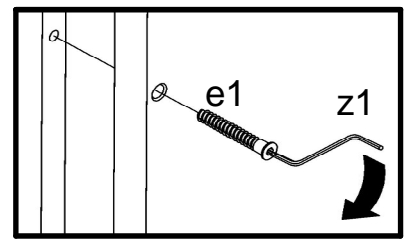
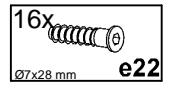
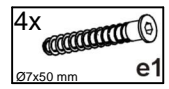
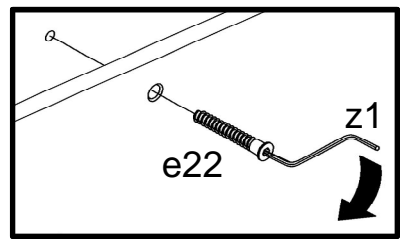
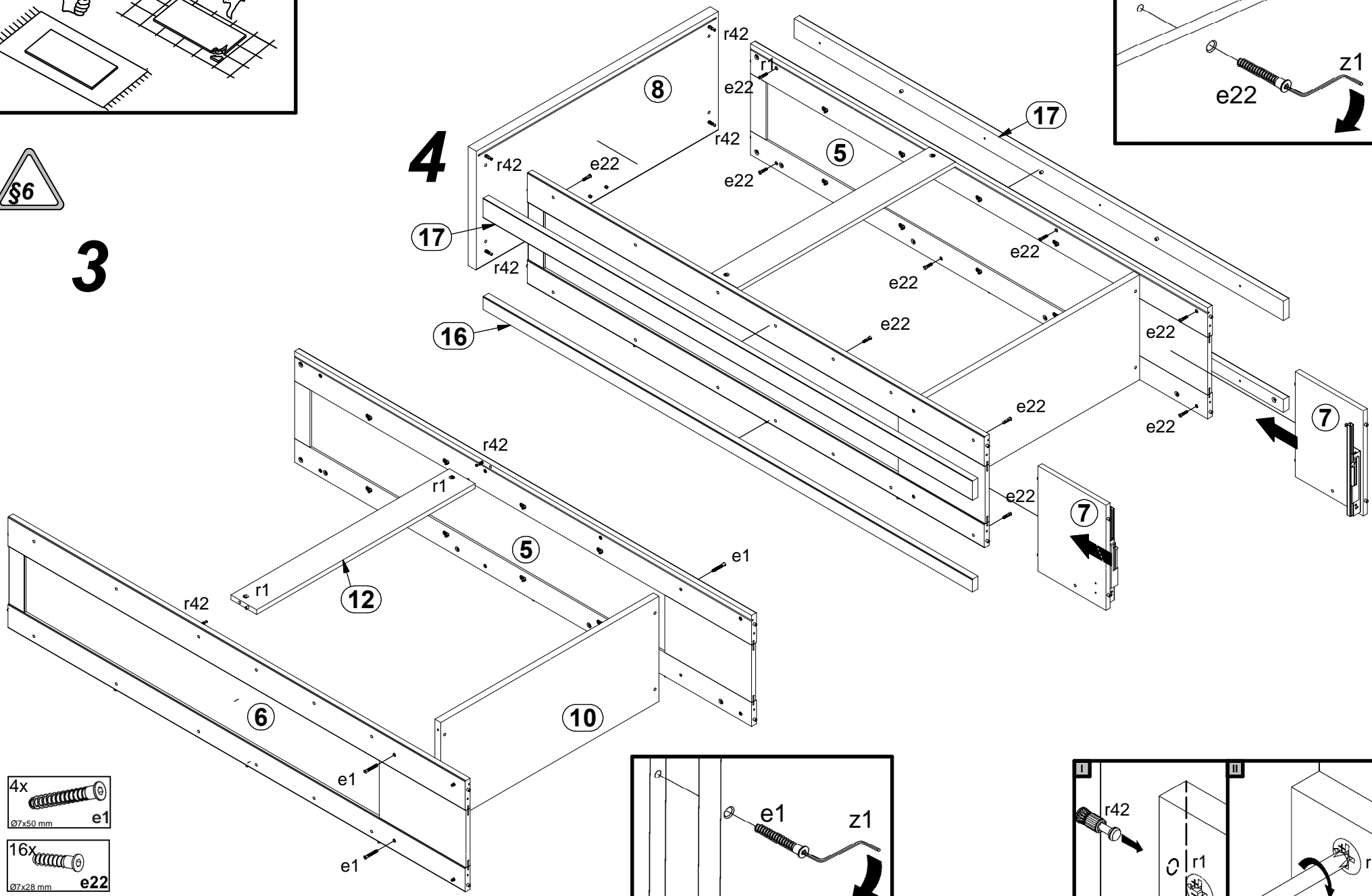


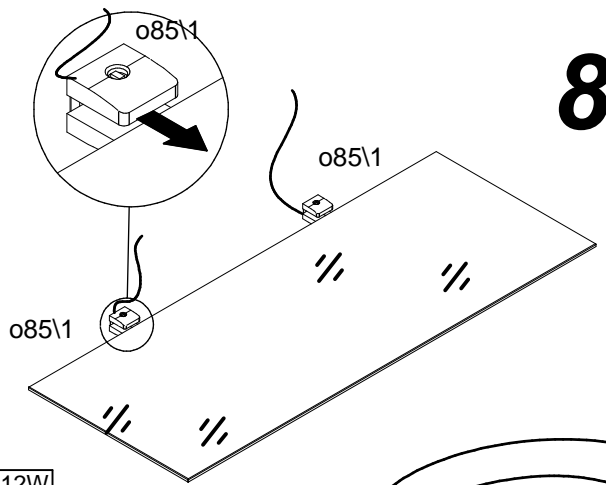
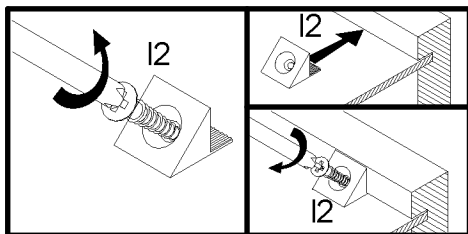
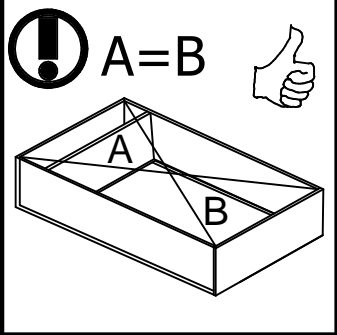




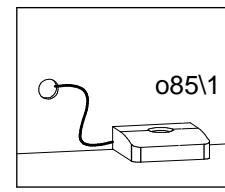
3

4

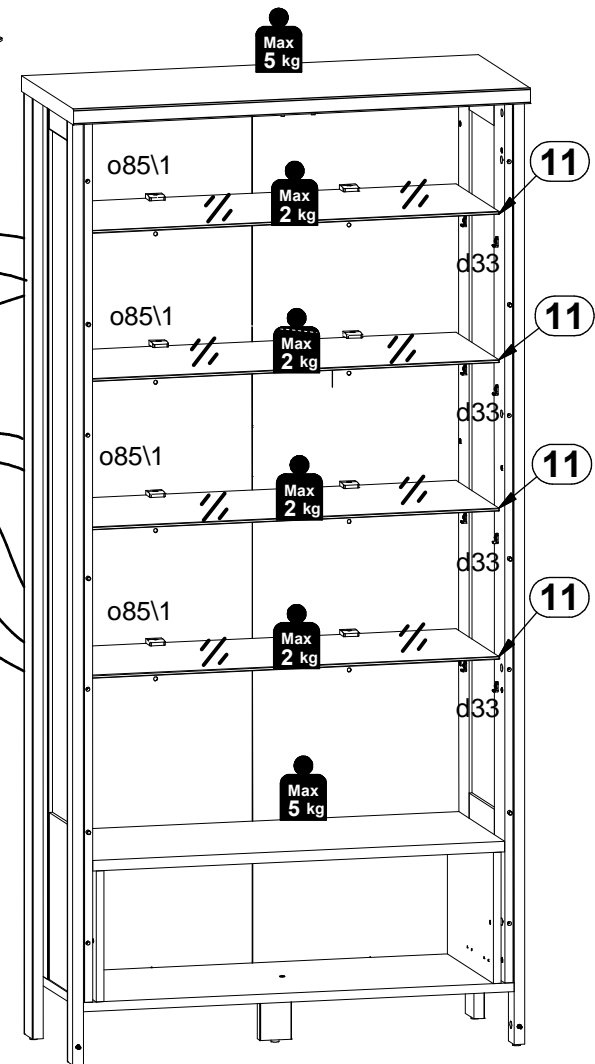
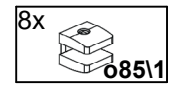
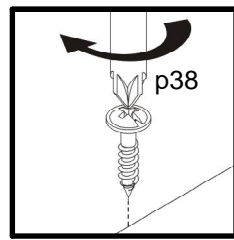
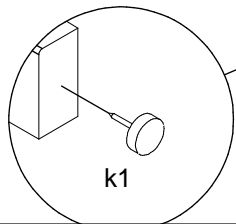
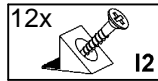
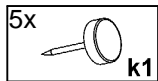
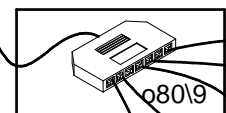
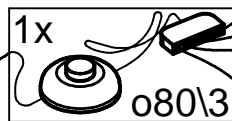
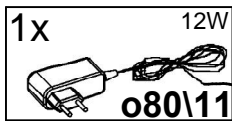
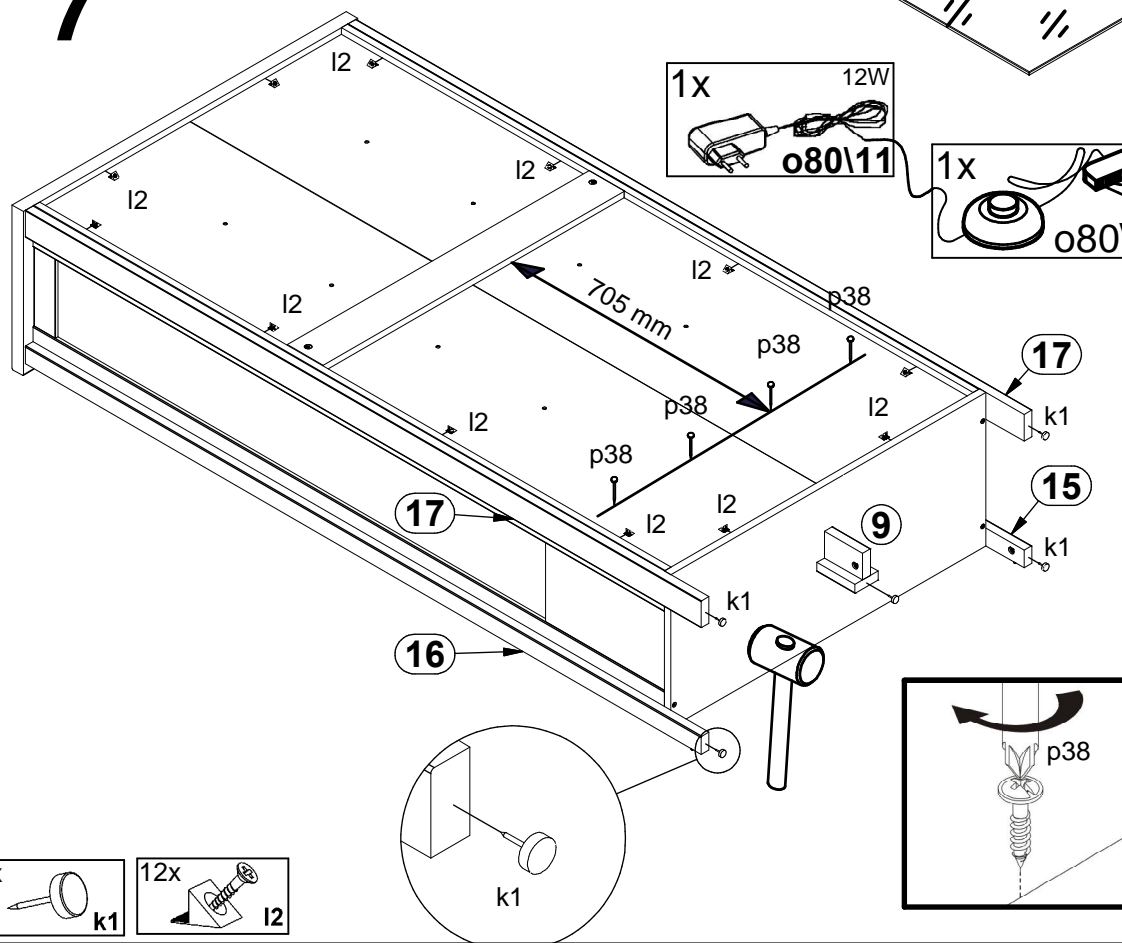


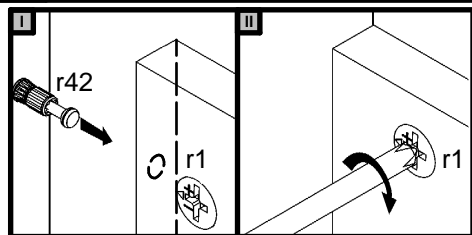


8



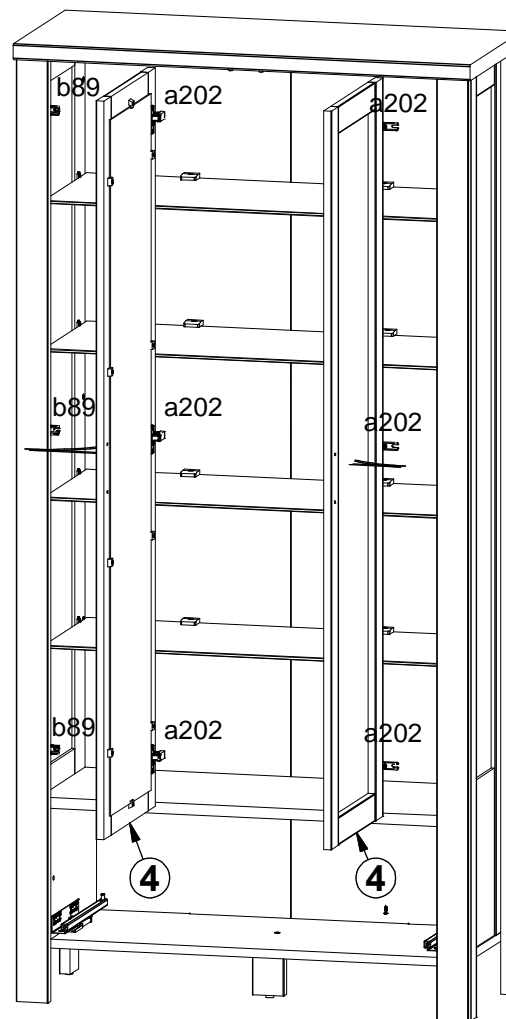
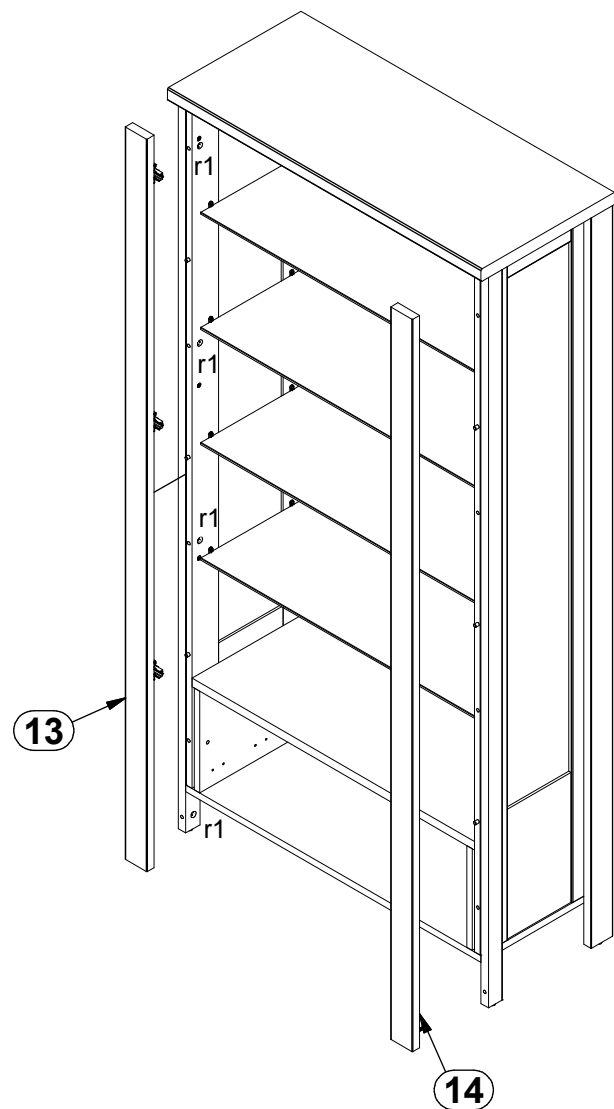
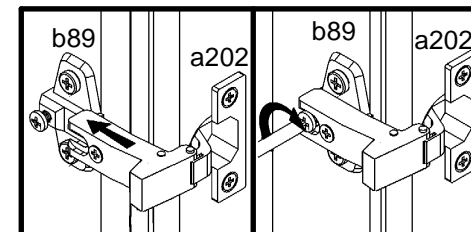
7



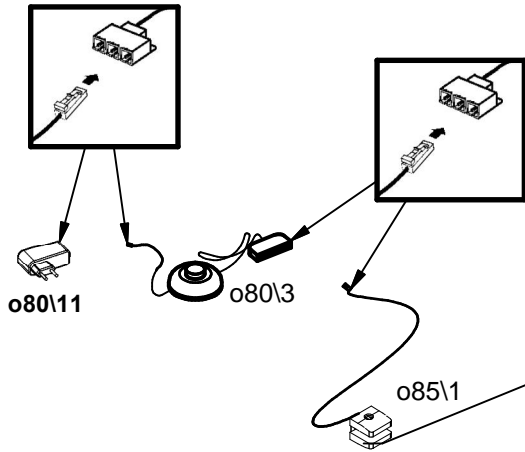


9

10

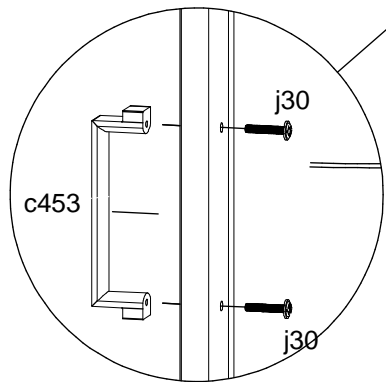
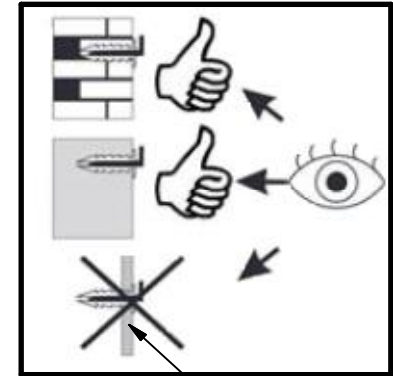
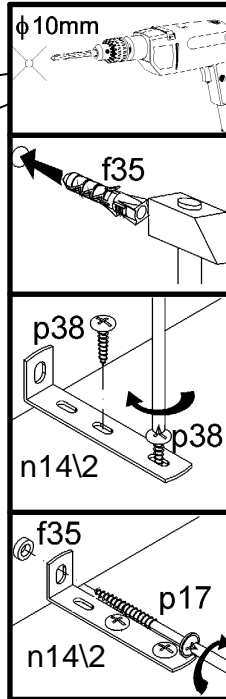
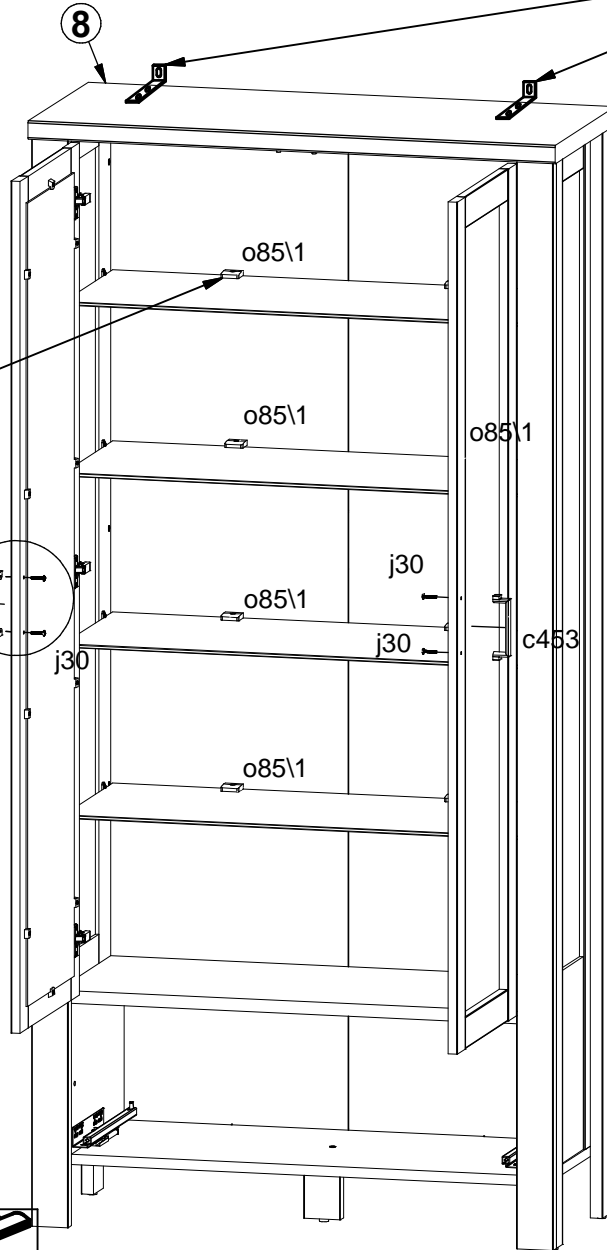


11



c453

8



- 2x c453
- 4x M4x22 mm j30
- 1x 12W o80\11
- 1x o80\3

- 2x $\phi 10 \times 50$ mm f35
- 2x $\phi 5 \times 60$ mm p17
- 4x $\phi 3.5 \times 16$ mm p38
- 2x 88x21x151.5 n14\2

12

